

# STREET **M**APPER<sup>®</sup>

**The worlds most accurate mobile laser  
mapping system with 360-degree vision**

# IGI StreetMapper-V

STREET **M**APPER



[www.igi-systems.com](http://www.igi-systems.com)

**gtb**  
ibérica

Partner for  
Portugal  
Am

- Highest Accuracy with *IGI TERRAcontrol*
- Dual Antenna Support
- Integrated **laser scanners** from Riegl
- Integrated **Panoramic Camera, LB5+**
- Integrated **12/31MP Camera, DigiCAM-RT**
- Integrated **Thermal Camera, DigiTHERM-640**



*StreetMapper-V*

STREET **M**APPER®



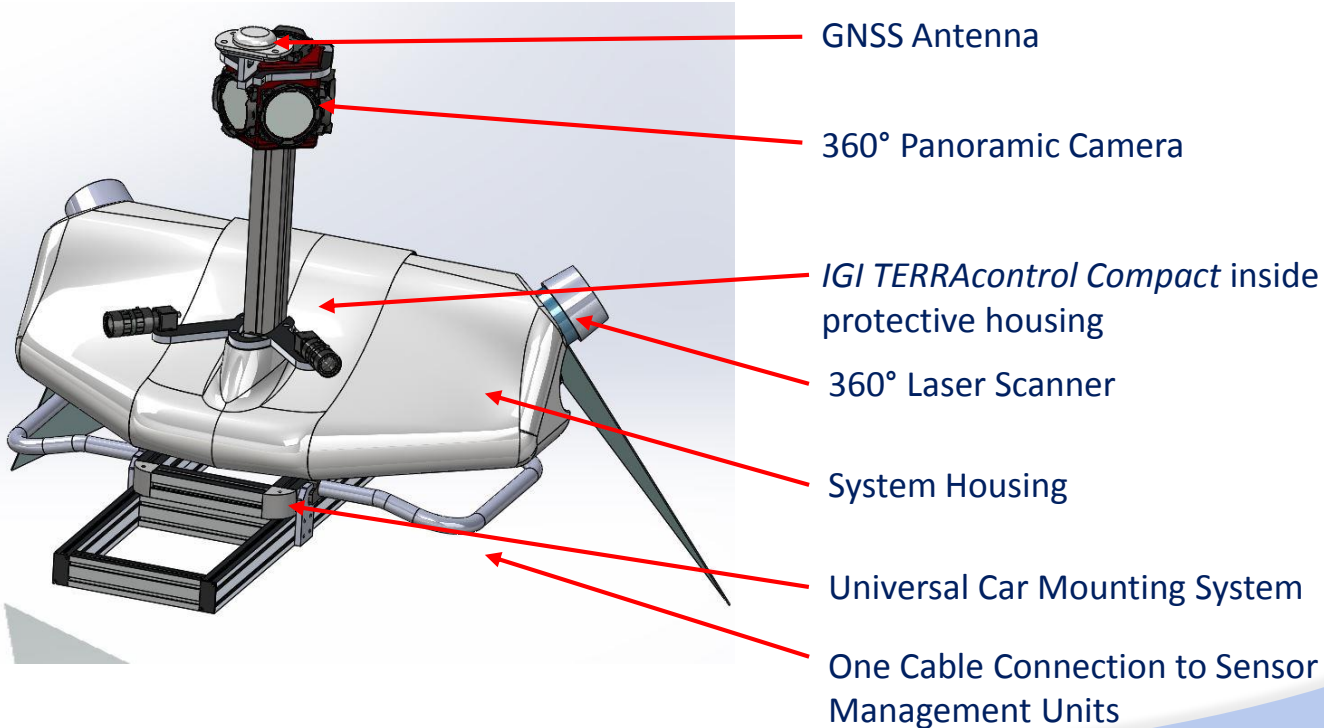
# StreetMapper-V

STREET **M**APPER®

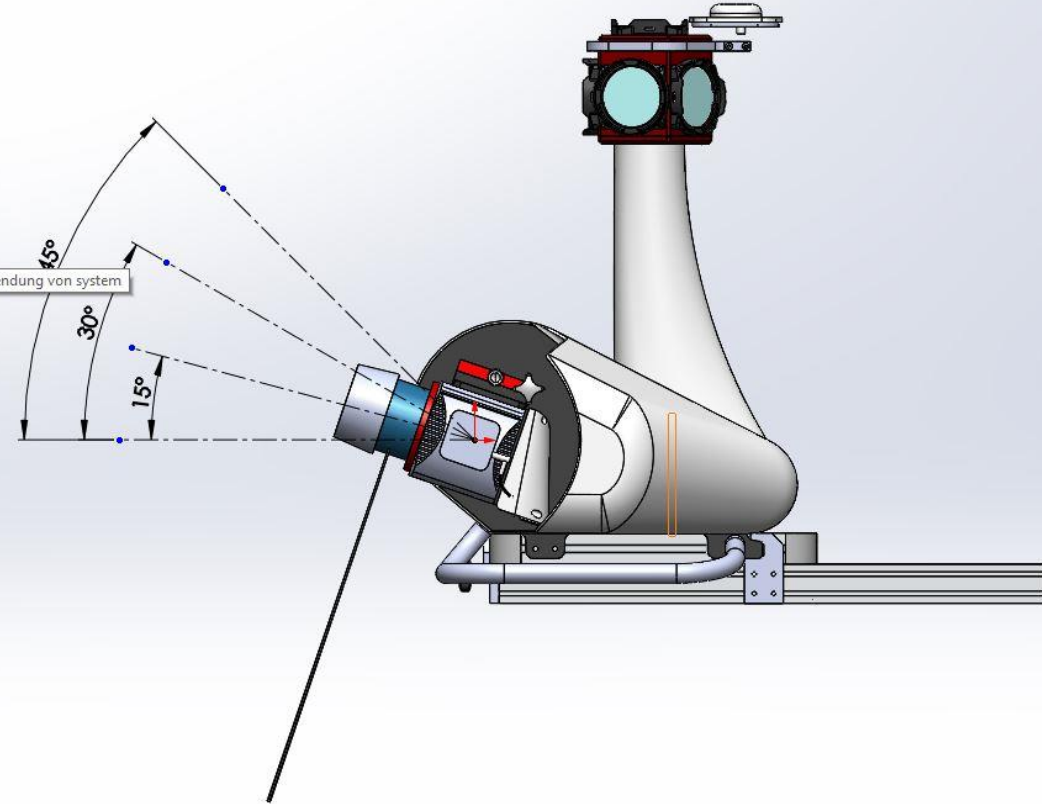
**IGI**<sup>®</sup>  
www.igi-systems.com

**gtb**  
ibérica

IGI Partner for  
Spain, Portugal  
and LatAm



# StreetMapper-V



STREET **M**APPER®



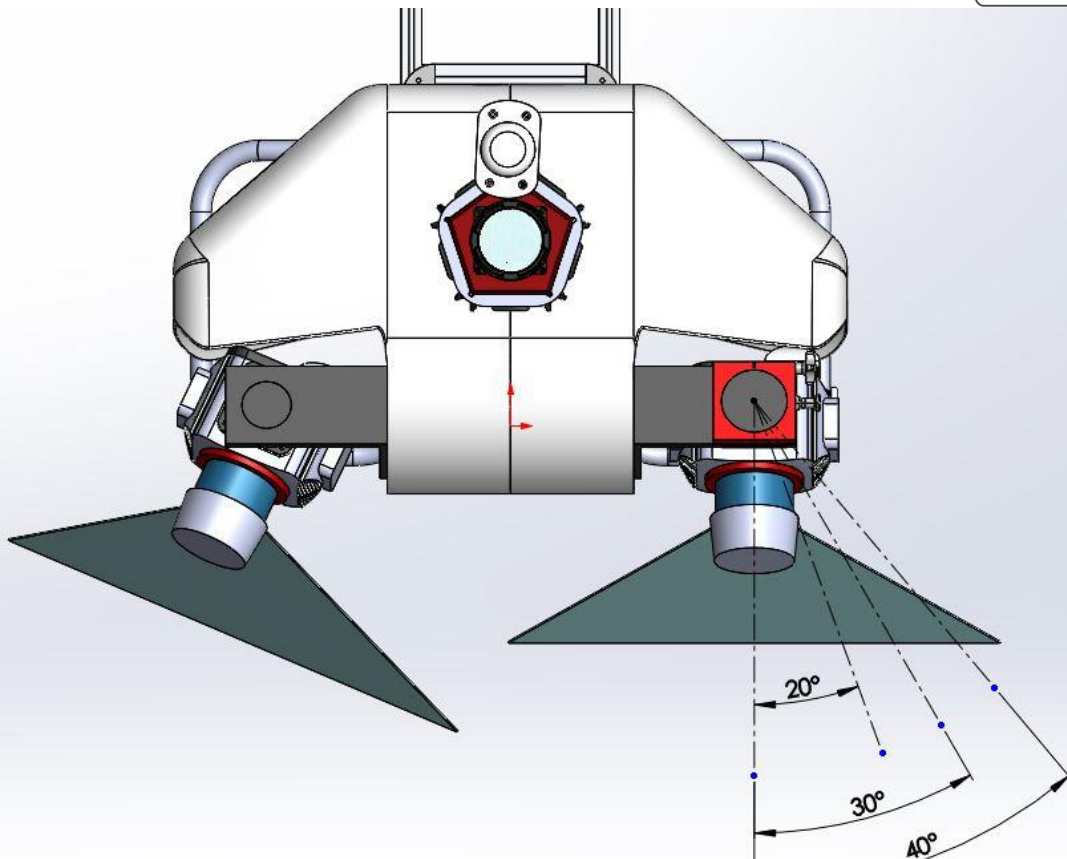
[www.igi-systems.com](http://www.igi-systems.com)

**gtb**  
ibérica

*IGI Partner for  
Spain, Portugal  
and LatAm*

NEW:

Vertical Adjustment of scanner



NEW:  
Horizontal Adjustment of scanner







# StreetMapper-V Operator Display

The display is divided into several functional areas:

- LIDAR Left Panel:** Shows 'SYNC' in green, 'Ready' in green, 'REC' in green, 'Dist Range' at 2%, 'Auto Rec' at 'On', and 'File Interval' as 'n/a'. A '1000 M' range indicator is present.
- LIDAR Right Panel:** Shows 'SYNC' in green, 'Ready' in green, 'REC' in green, 'Dist Range' at 1%, 'Auto Rec' at 'On', and 'File Interval' as 'n/a'. A '1000 M' range indicator is present.
- Map Area:** Displays a 3D point cloud map of a street scene with a yellow and red path overlaid. The map is titled 'Newing Map'.
- Right Control Panel:** Includes 'SENS NAV SYNC' buttons, 'Project 5', 'Line 1', 'Line 2', 'Event ID 2200', 'REC / EXP' button, 'Distance 5', 'Speed 55 mph', 'FIS 3.0', 'CF 02-0149', 'AEC', 'INS', 'GPS', 'IMU', 'Odometer', and 'DataCard' buttons. A vertical 'Pause' button is also visible.
- Bottom Status Bar:** Shows 'Center Lat 50N50.6760', 'Center Long 007E58.6065', 'Width Map 567.8', and 'Height Map 288.8'. It also includes 'Save' and 'DigICAR RT12' labels.
- Bottom Data Panels:** Two panels for 'DigICAR RT12' and 'DigICAR Ladybug'. Both show 'SYNC' in green, 'Exp' at 2290, 'EXP' in green, 'Shutter 1/8000', 'Foot' at 48187, and 'Interval 0.3'. The 'DigICAR RT12' panel also shows '2000'.
- Bottom Icons:** A row of icons for home, map, LIDAR, data, and other functions.

IGI

A1

A2

T+0

T-0

Windows logo

File icon

System tray icons

Power icon

IGI logo

# StreetMapper V

NEW: Introducing maps for real-time quality control



www.igi-systems.com

**gtb**  
ibérica

IGI Partner for  
Spain, Portugal  
and LatAm

Moving Map

Center Lat **50N56.6468** dgm Center Long **007E59.7754** dgm Width Map **7615.0** ft Height Map **3821.3** ft

Auto Map **Off**

Home  
Pause  
Time [h:m:s]  
10:01:00  
Show last [h:m:s]  
0:05:00  
Map  
Vector  
INTrack  
Car  
Save Map  
Menu

Map navigation controls: Home, Pause, Time, Show last, Map, Vector, INTrack, Car, Save Map, Menu, Home, Pause, Time, Show last, Map, Vector, INTrack, Car, Save Map, Menu.

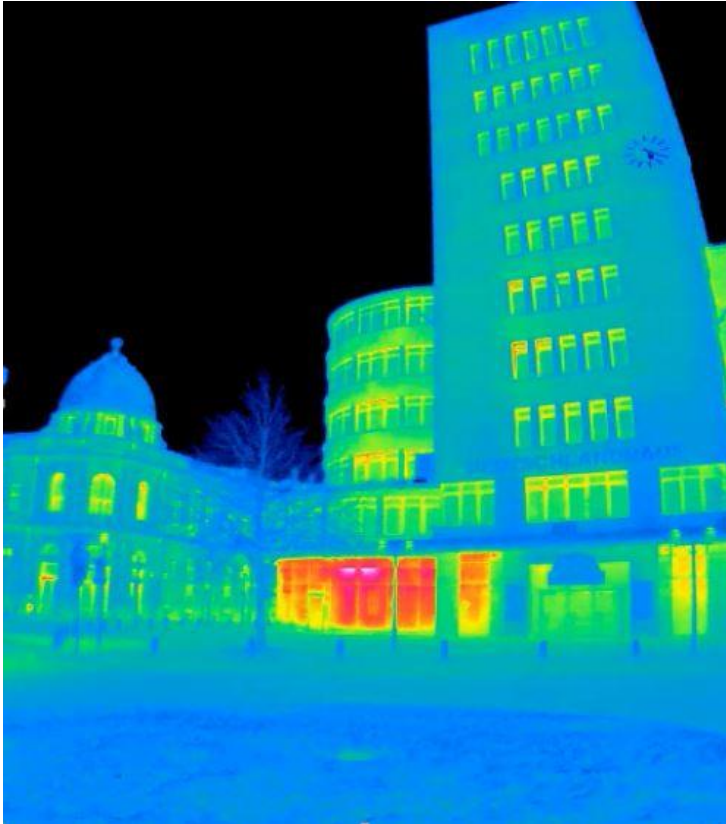


## ***AEROcontrol / TERRAcontrol CM & CF***

- Optimal System for Airborne and Mobile Mapping Applications
- Exchangeable due to identical mounting
- Integrated GPS/GLONASS/BEIDOU/QZSS... receiver
- **Dual Antenna Support**
- **CF** – Compact **F**ibre Optic Gyros
- **CM** – Compact **M**icro-Electro-Mechanical Gyros
- **Data rate up to 600Hz**
- Different Accuracy Levels

**All IMUs are export free! NO BAFA, NO ITAR restrictions!**





STREET **M**APPER®



[www.igi-systems.com](http://www.igi-systems.com)

**gtb**  
ibérica

*IGI Partner for  
Spain, Portugal  
and LatAm*

DigiTHERM  
Suitable

Rapid Mapping  
during Traffic

DigiTHERM – Mobile Thermography – Essen Germany

# Online Project Dashboard

STREETMAPPER



www.igi-systems.com

gtb  
ibérica

IGI Partner for  
Spain, Portugal  
and LatAm

The screenshot shows the 'orbis360' online project dashboard. The interface includes a navigation menu on the left with 'Dashboard' and 'MANAGEMENT' sections. The main area displays 'Meine Veröffentlichungen' (My Publications) with a map of a region in Germany. The map shows a blue route and various elevation points. Below the map, there are two project listings:

- PANORAMABILDER UND PUNKTWOLKE MIT STREETMAPPER V**: Includes a thumbnail showing a street view and a point cloud, with a 'Anzeigen' button.
- PUNKTWOLKE STREETMAPPER V**: Includes a thumbnail showing a street view and a point cloud, with an 'Anzeigen' button.

At the bottom of each listing, there is a checkbox labeled 'Auf Karte anzeigen' (Show on map), which is checked in both cases.

**StreetMapper-V** Demo Dataset available online;  
please contact – [info@gtb.net](mailto:info@gtb.net)

# Online Panorama + LiDAR Data

STREETMAPPER



www.igi-systems.com

gtb  
ibérica

IGI Partner for  
Spain, Portugal  
and LatAm

The screenshot displays the StreetMapper-V interface. At the top, there is a toolbar with icons for navigation and settings. The main area is divided into three panels: a top aerial 360-degree panorama with a red and blue path overlay, a bottom-left street-level 360-degree view, and a bottom-right LiDAR point cloud. The LiDAR data is color-coded by height, with green representing ground level and other colors representing buildings and trees. The interface includes a top navigation bar with a search icon and a bottom status bar with navigation and information icons.

Publication  
PANORAMABILDER UND PUNKTWOLKE MIT SREETMAPPER V

Entité  
IGI-SYSTEMS

Mon compte Contact & Info

StreetMapper-V Demo Dataset available online - please contact – [info@gtbi.net](mailto:info@gtbi.net)

# Online Panorama + LiDAR Data

STREETMAPPER



www.igi-systems.com

gtb  
ibérica

IGI Partner for  
Spain, Portugal  
and LatAm



orbis360

Publication  
PANORAMABILDER UND PUNKTWOLKE MIT SREETMAPPER V

Entité  
IGI-SYSTEMS

Mon compte

Contact & Infos

StreetMapper-V Demo Dataset available online - please contact – [info@gtbi.net](mailto:info@gtbi.net)

# Online Panorama + LiDAR Data

STREET **M**APPER®

**IGI**<sup>®</sup>  
www.igi-systems.com

**gtb**  
ibérica

IGI Partner for



StreetMapper-V Demo Dataset available online - please contact – [info@gtbi.net](mailto:info@gtbi.net)



# Online Panorama + LiDAR Data

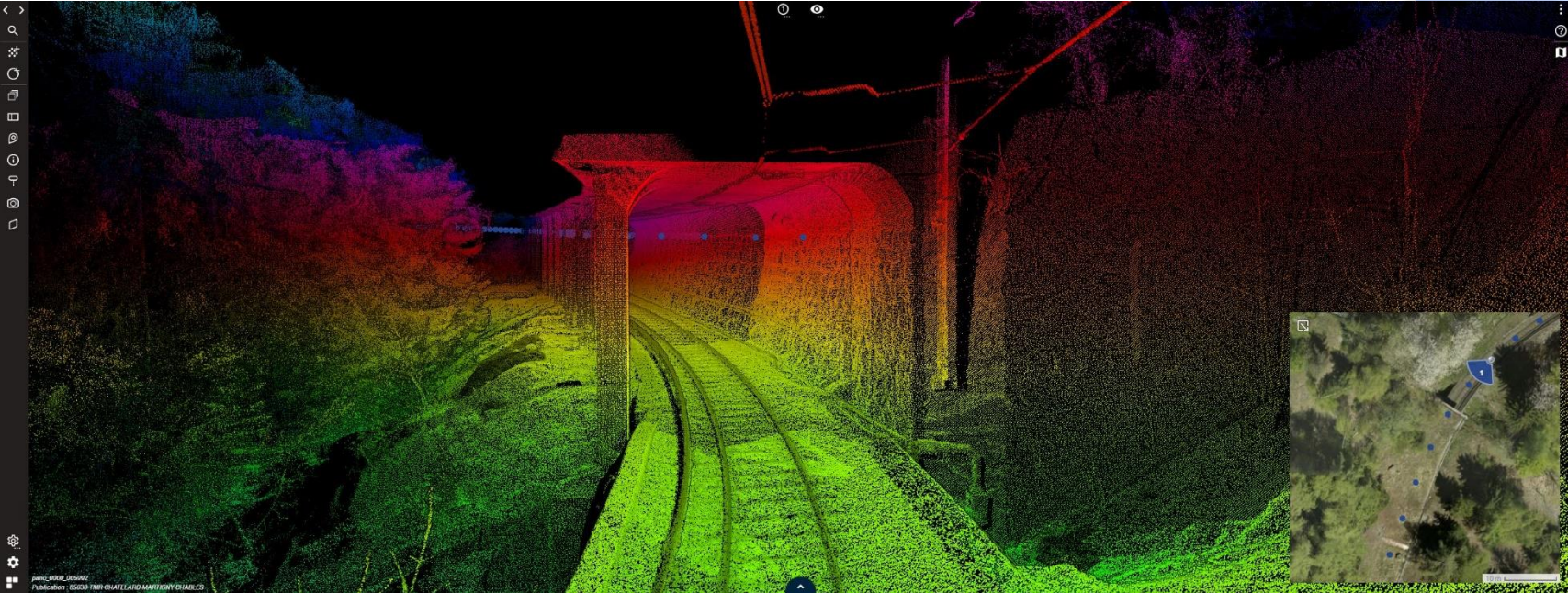
STREET **M**APPER



www.igi-systems.com

**gtb**  
ibérica

IGI Partner for



StreetMapper-V Demo Dataset available online - please contact – [info@gtbi.net](mailto:info@gtbi.net)

# Online Panorama + LiDAR Data

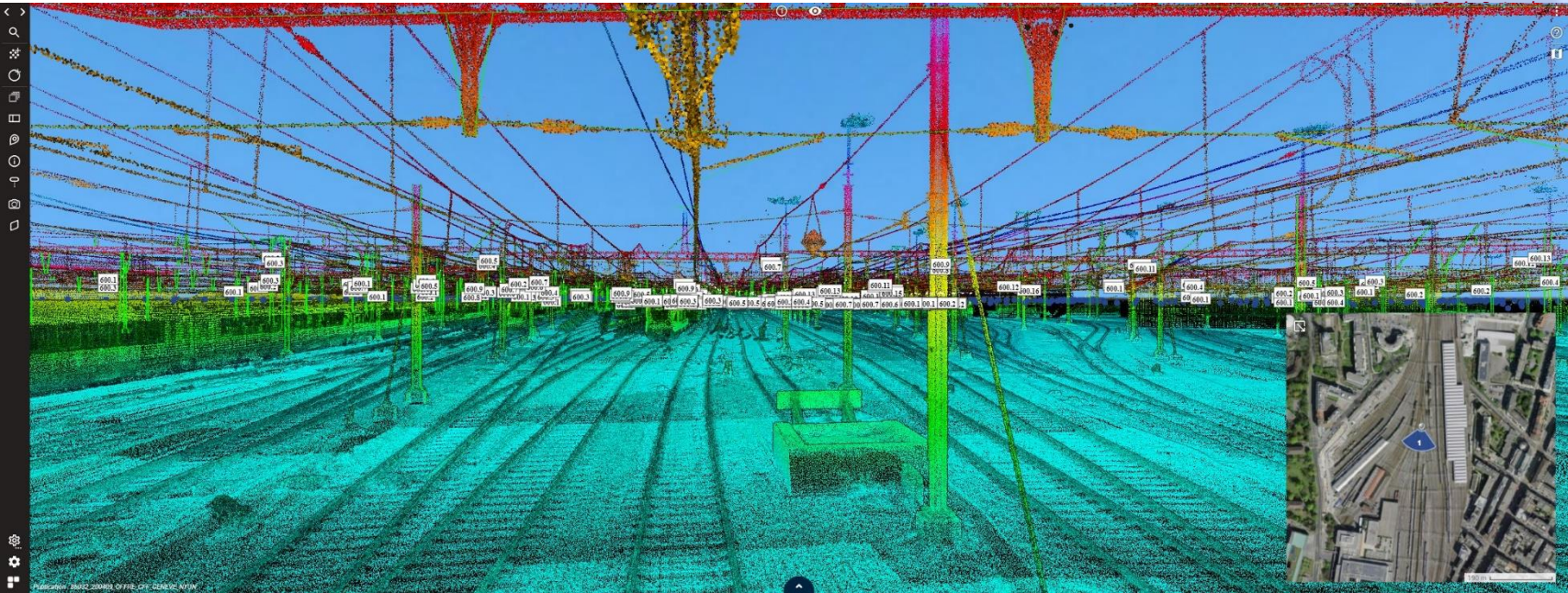
STREETMAPPER



www.igi-systems.com

gtb  
ibérica

IGI Partner for



StreetMapper-V Demo Dataset available online - please contact – [info@gtbi.net](mailto:info@gtbi.net)

# Online Panorama + LiDAR Data

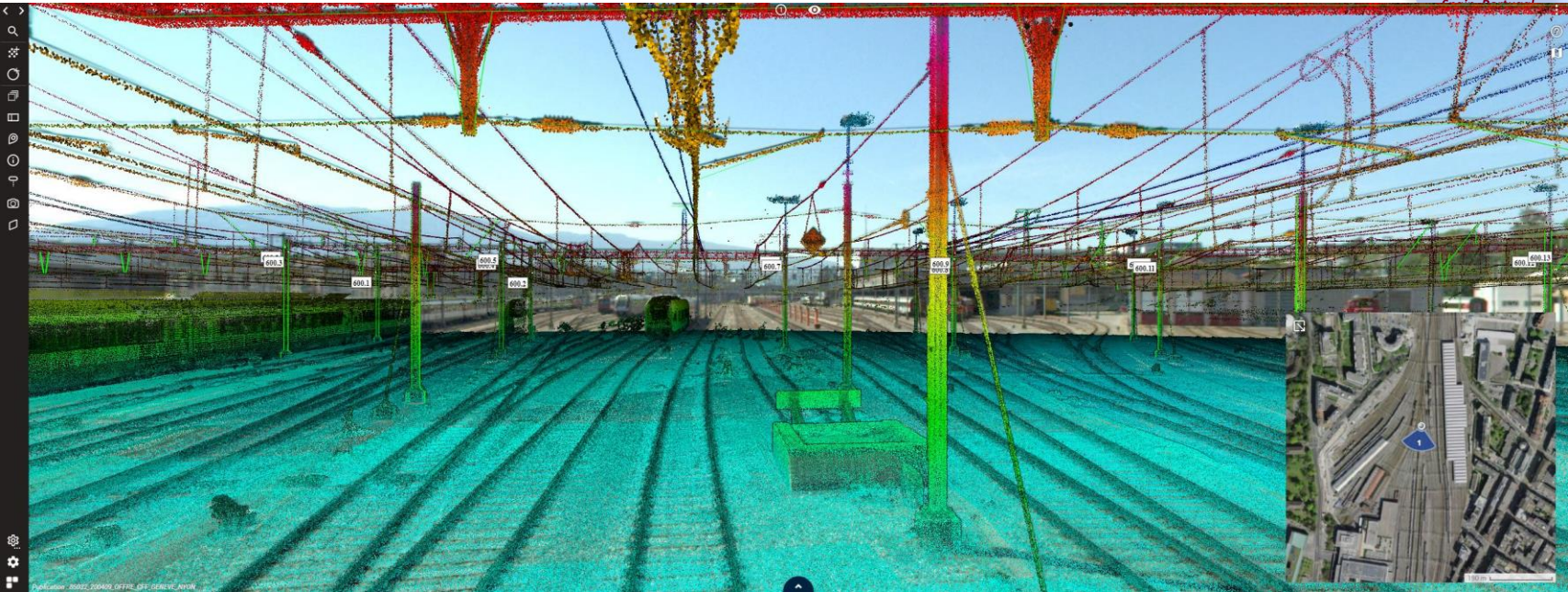
STREETMAPPER



www.igi-systems.com

gtb  
ibérica

IGI Partner for



StreetMapper-V Demo Dataset available online - please contact – [info@gtbi.net](mailto:info@gtbi.net)

# Online Panorama + LiDAR Data

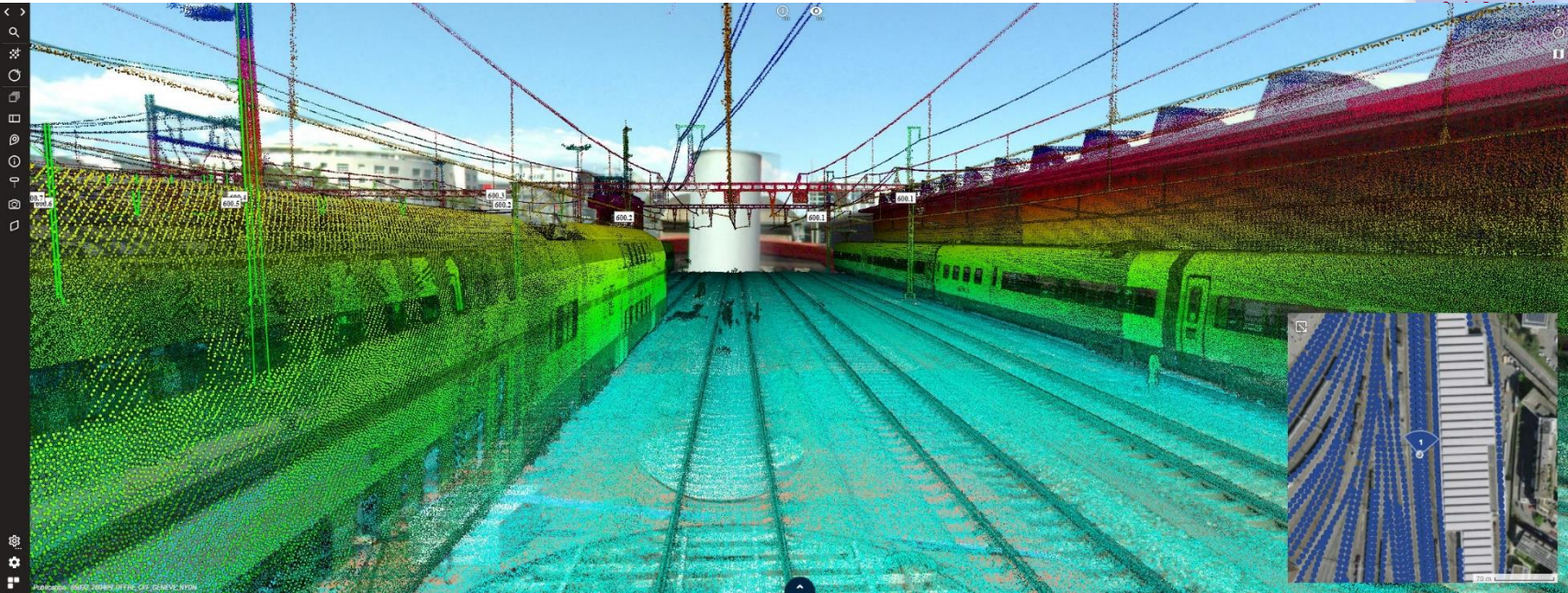
STREETMAPPER



www.igi-systems.com

gtb  
ibérica

IGI Partner for



StreetMapper-V Demo Dataset available online - please contact – [info@gtbi.net](mailto:info@gtbi.net)

# IGI StreetMapper-V

STREET **M**APPER®

**IGI**<sup>®</sup>  
www.igi-systems.com

**atb**  
bérica  
for

- Highest Accuracy with *IGI TERRAcontrol*
- Dual Antenna Support
- Integrated **laser scanners** from Rieggl
- Integrated **Panoramic Camera, LB5+**
- Integrated **12/31MP Camera, DigiCAM-RT**
- Integrated **Thermal Camera, DigiTHERM-640**



-> [info@gtbi.net](mailto:info@gtbi.net) <-